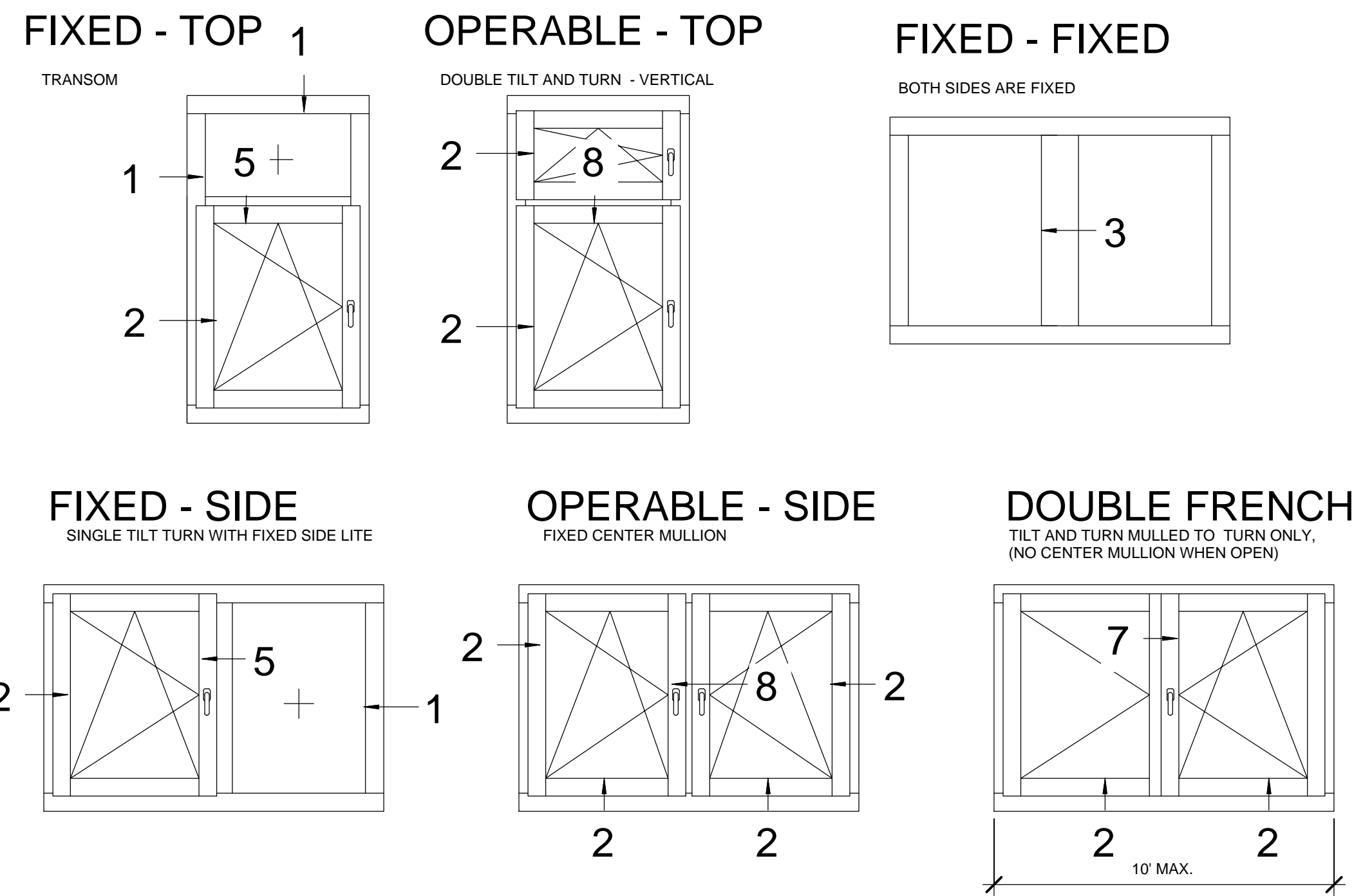


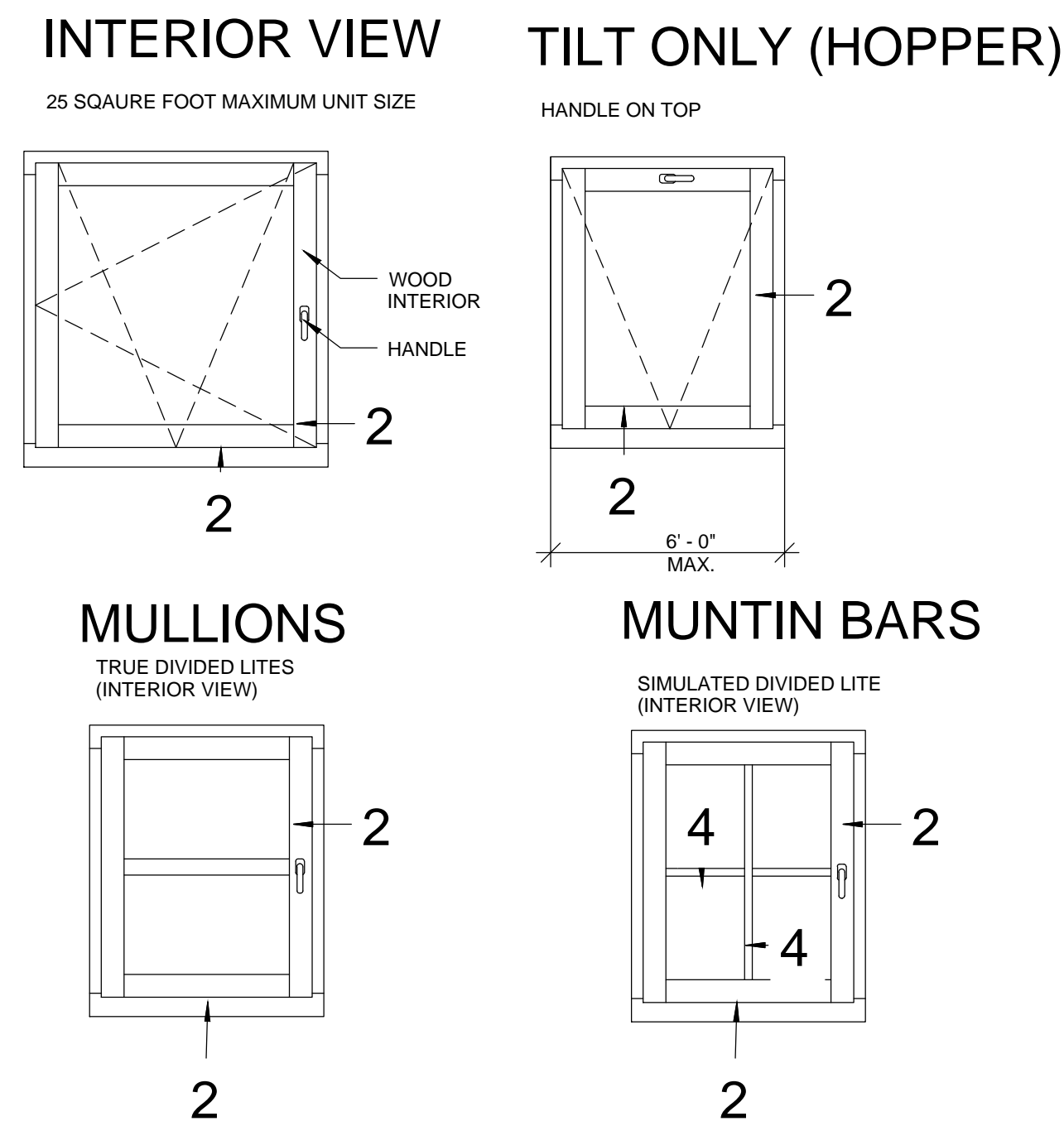
FIXED UNITS:

SHOP MULLED UNITS (SHOWN FROM THE INTERIOR):

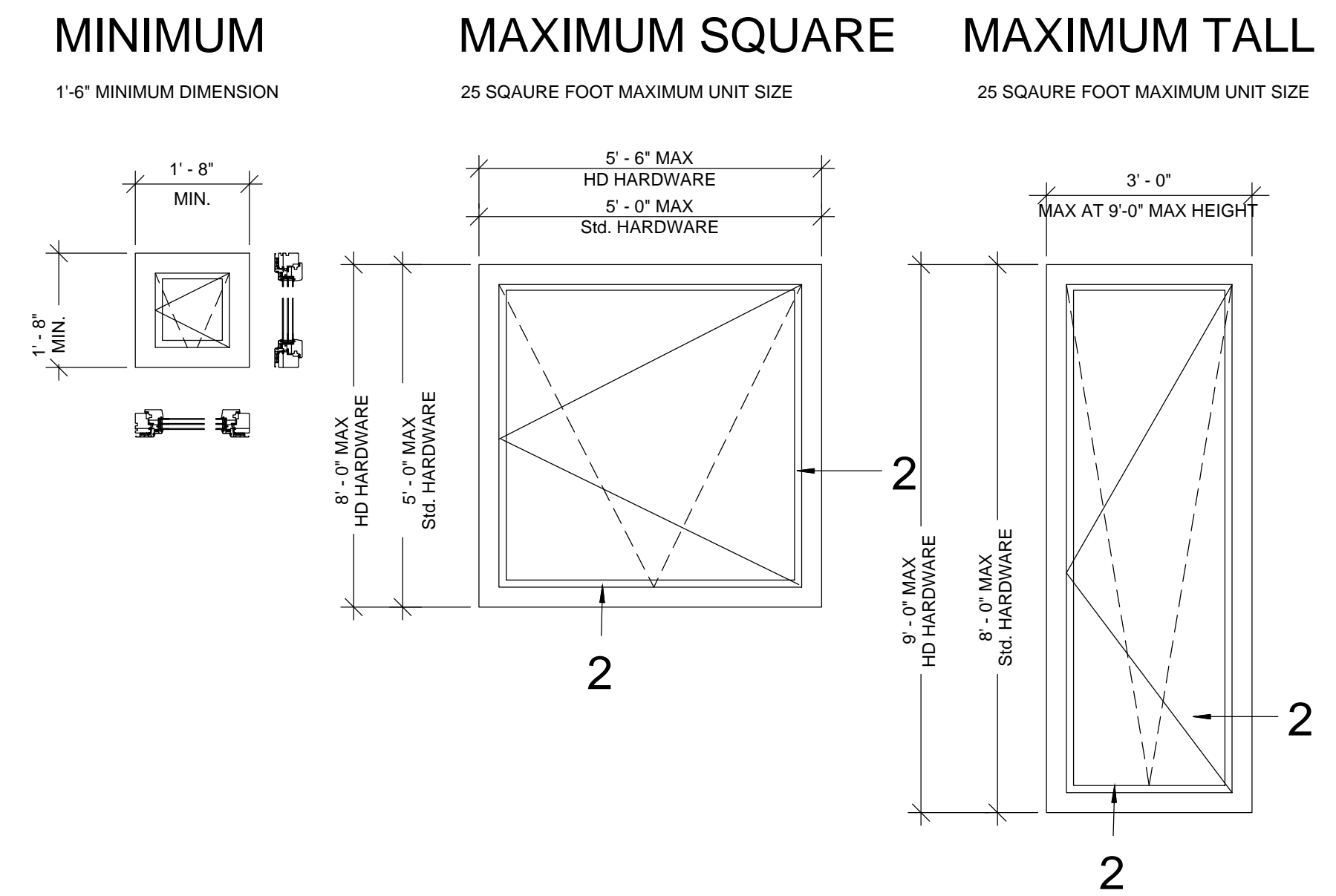


(A) ELEVATIONS - ZOLA PANORAMIC VIEW
1/2" = 1'-0"

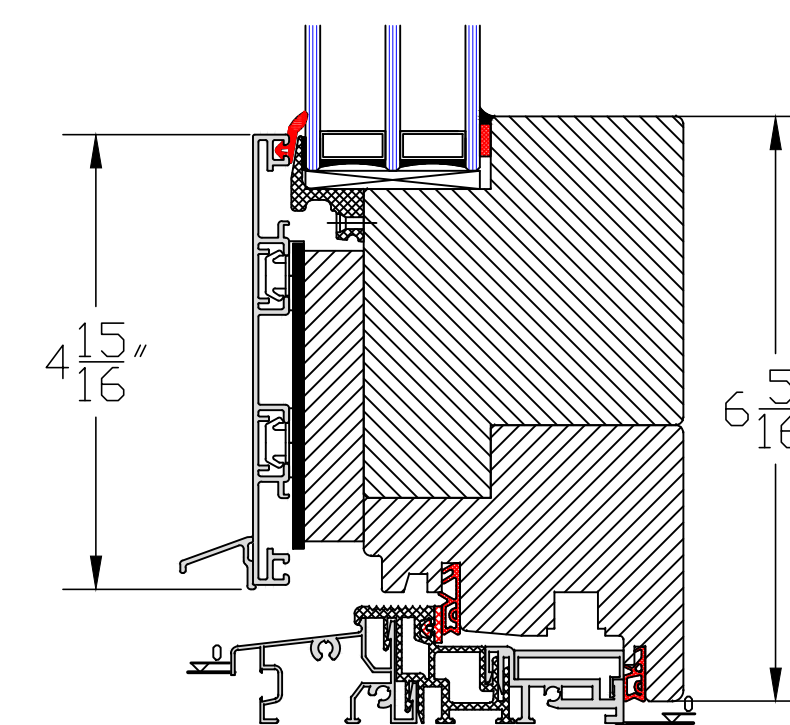
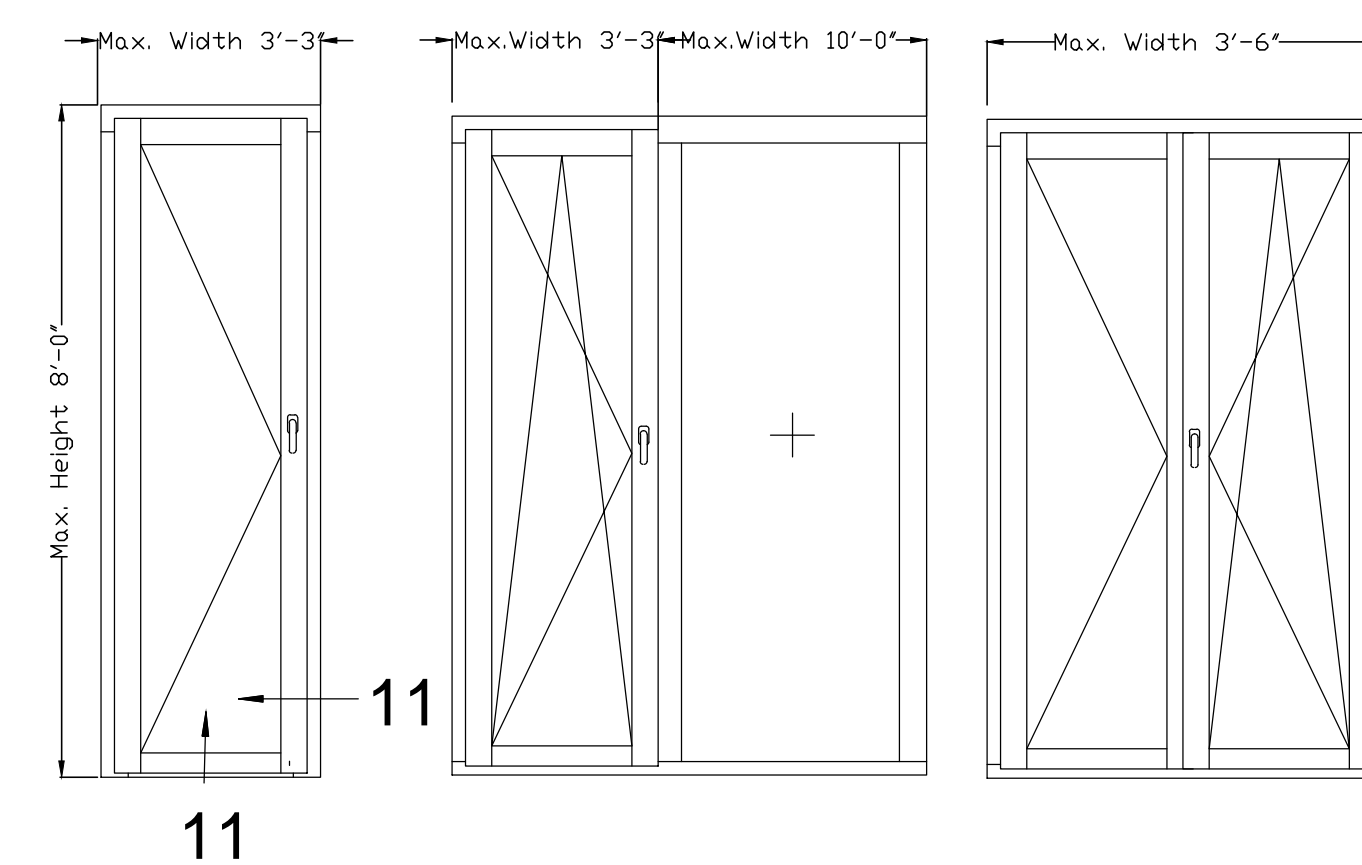
OPTIONS (SHOWN FROM THE INTERIOR):



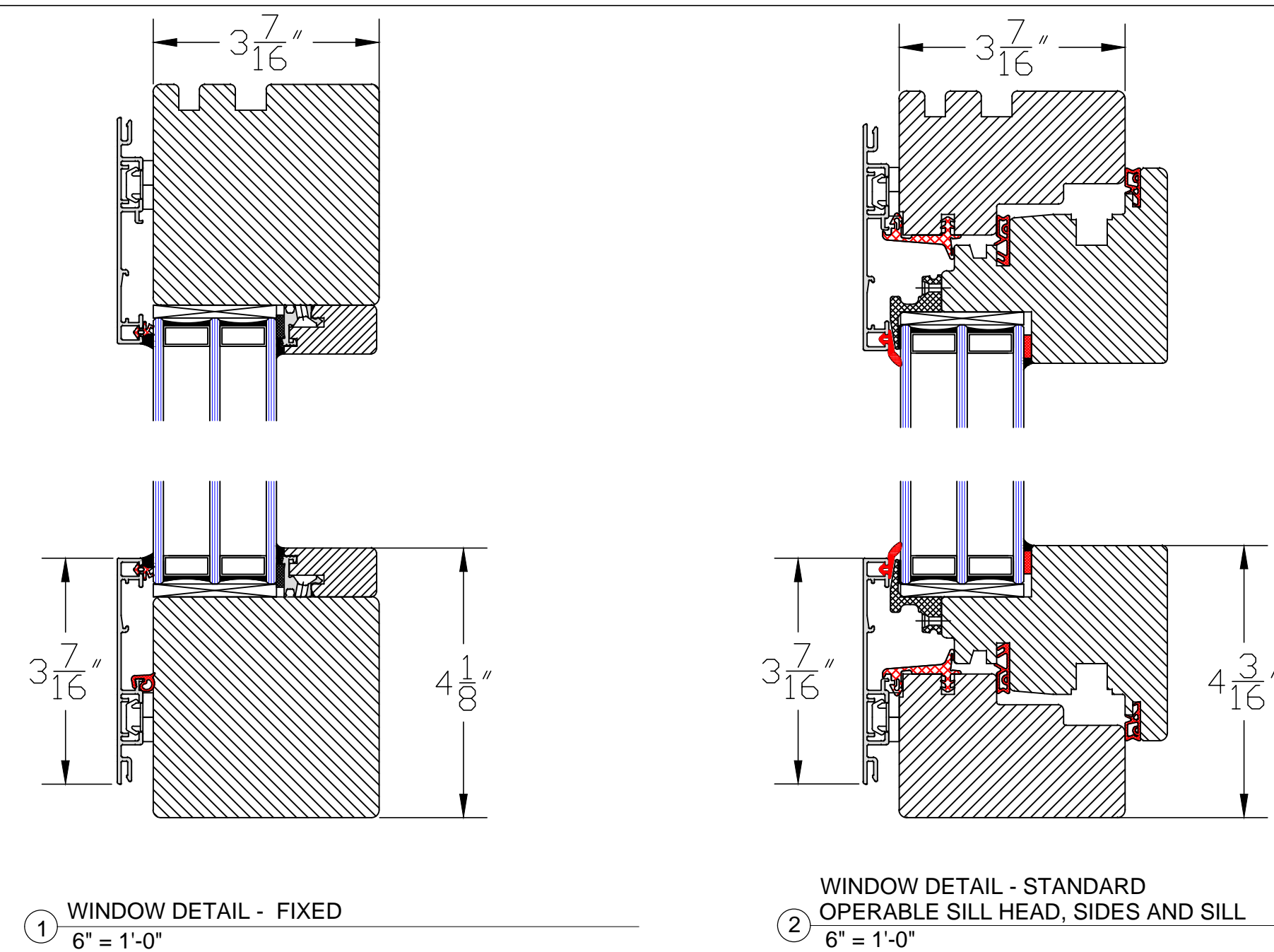
SIZE LIMITS:



Balcony Doors

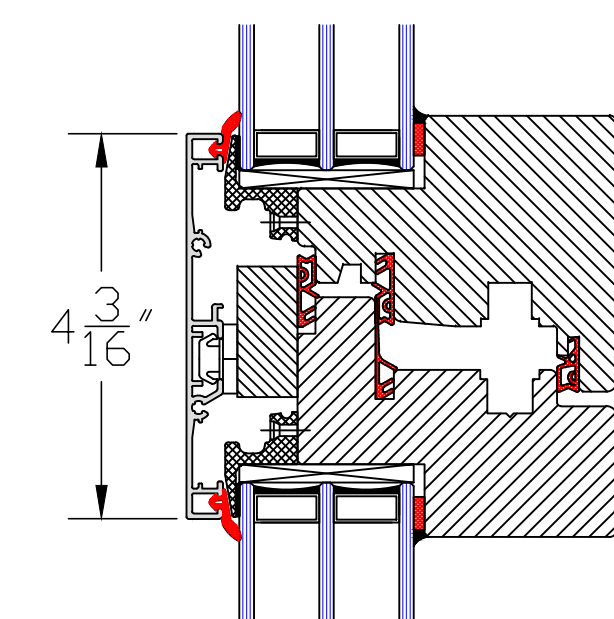


(11) DOOR DETAIL - BALCONY DOOR THRESHOLD
6" = 1'-0"

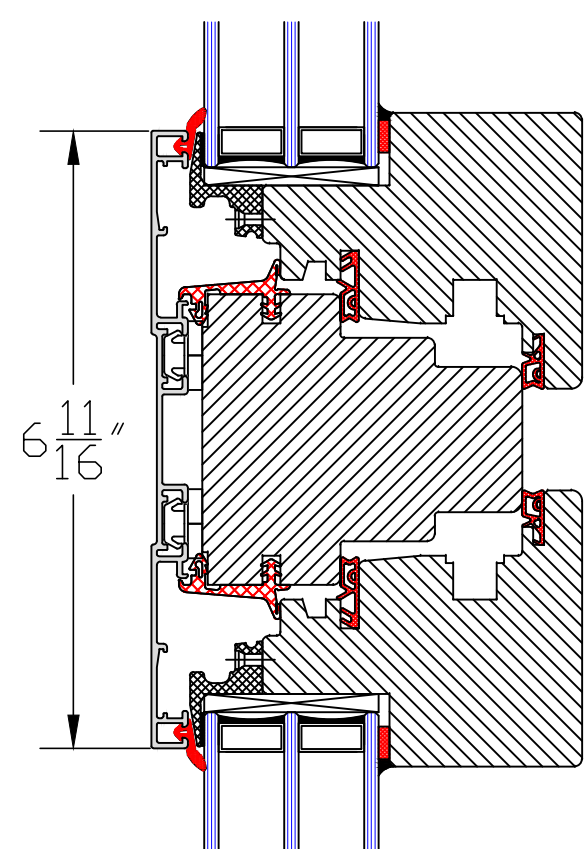


(1) WINDOW DETAIL - FIXED
6" = 1'-0"

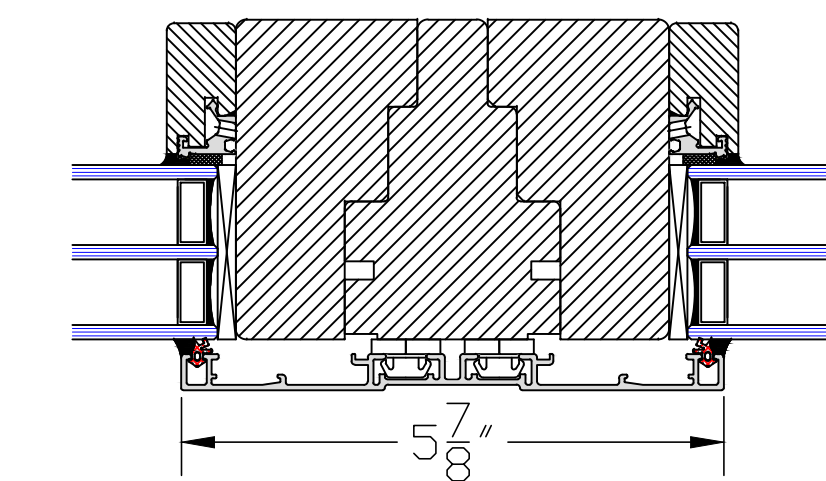
(2) WINDOW DETAIL - STANDARD OPERABLE SILL HEAD, SIDES AND SILL
6" = 1'-0"



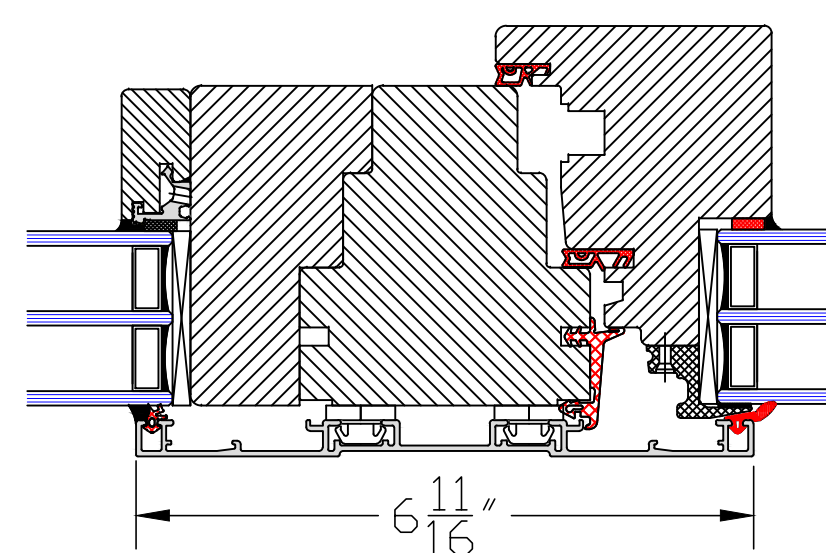
(7) WINDOW DETAIL - TILT TURN AND TURN FRENCH OPERABLE WINDOW (NO CENTER POST)
6" = 1'-0"



(8) WINDOW DETAIL - TILT TURN AND TILT TURN (FIXED CENTER POST)
6" = 1'-0"

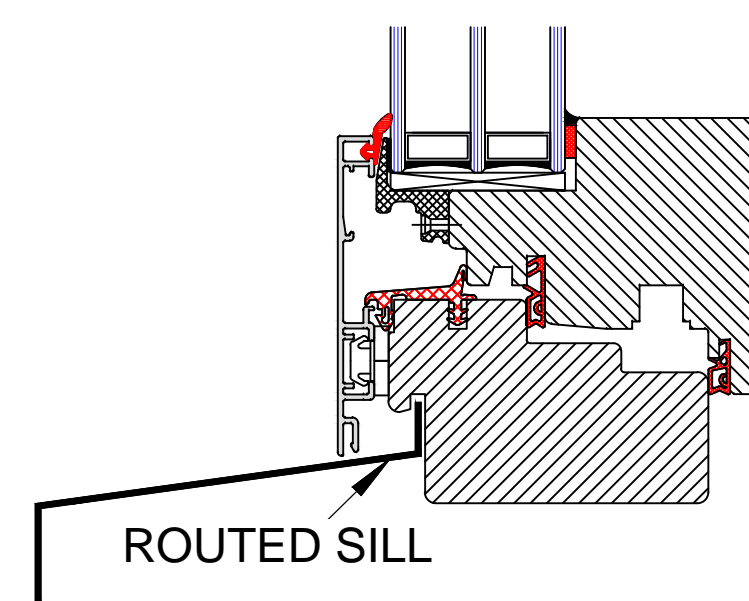


(3) WINDOW DETAIL - FIXED TO FIXED
6" = 1'-0"

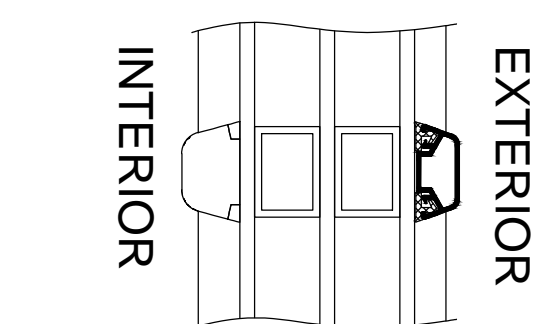
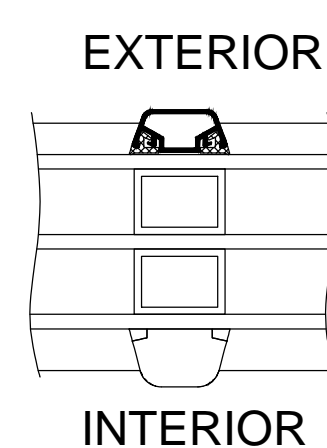


(5) WINDOW DETAIL - TILT TURN MULLIED TO FIXED
6" = 1'-0"

ROUTING FOR DRIP EDGE



(10) ROUTING FOR DRIP EDGE
6" = 1'-0"



(4) WINDOW DETAIL - MUNTIN BARS
6" = 1'-0"



WWW.ZOLAWINDOWS.COM
(303) 578-0001

NOTE: DETAILS PROVIDED FOR EXPLANATION ONLY. ARCHITECT AND ENGINEER OF RECORD TO DEVELOP PROJECT SPECIFIC DETAILS. ZOLA RESERVES RIGHTS TO MAKE TECHNICAL CHANGES AND UPDATES WHICH MAY NOT BE REFLECTED IN DRAWINGS

No.	Description	Date

**PANORAMIC VIEW WINDOW DETAILS
FIXED AND TILT & TURN**

Project number
Date
Drawn by
Checked by

A101

Scale As indicated